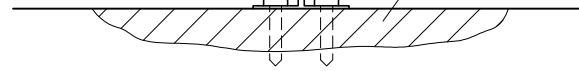


$\frac{5}{8}$ " SELF TAPPING SCREW
APPLIED ON A CHEMICAL
HARDENED SPOT
4 X / SEC. TYP.

CEILING T GRID
ATTACHED TO PANEL

CHEMICAL HARDENED SECTION
OF $\pm \frac{3}{8}$ " THICK



2" PANEL

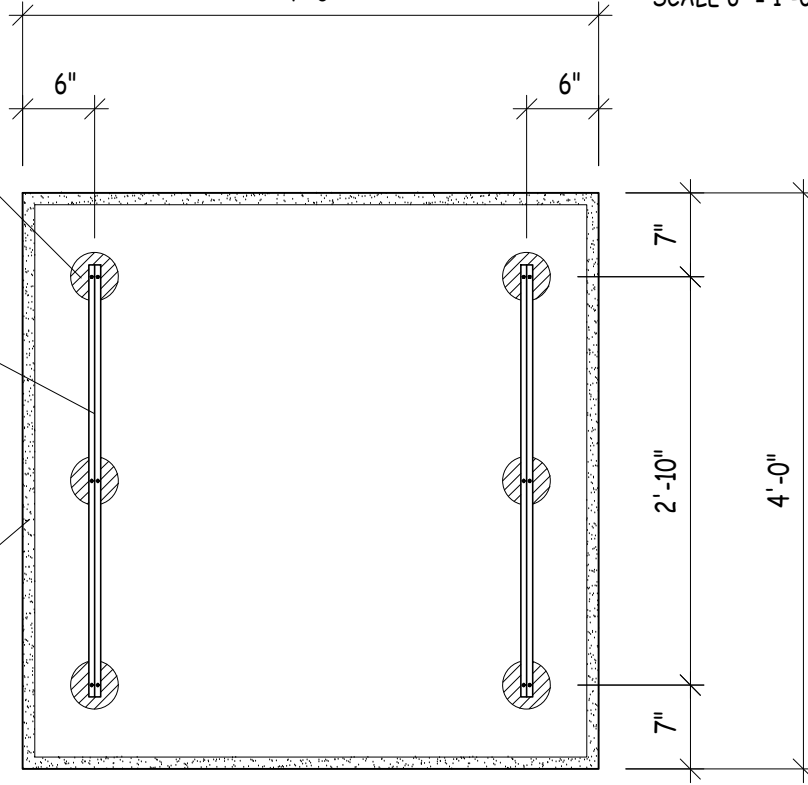
ANCHORING DETAIL

SCALE 6" = 1'-0"

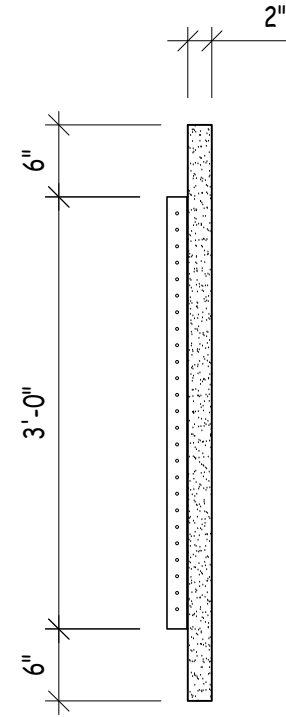
MECHANICAL HARDENED
SECTION $\pm 4 \text{ } \emptyset$ TYP.

CEILING T GRID
ATTACHED TO PANEL

FABRIC
FOLD ± 1 "



BACK VIEW



SIDE VIEW

DESSINÉ PAR: Y.B

ÉCH: 3/4" = 1'-0" s/i

DATE: 05/01/2016

TITRE DU PROJET:

TITRE DU DESSIN:

48" x 48" x 2" SUSPENDED

11390 Armand Chaput
Montréal (Québec)
Canada H1C 1S7
Tel.: (514) 643-0800
Fax.: (514) 643-0959
www.accocinema.com

