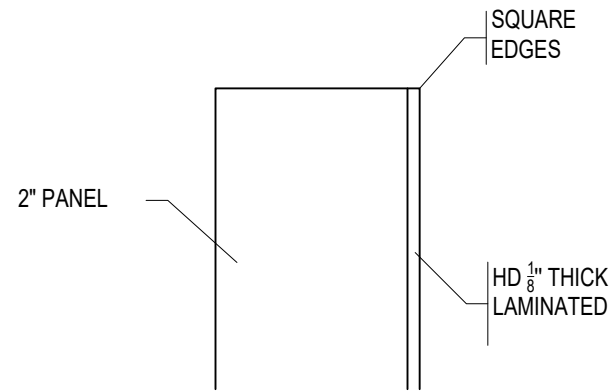


WALL ANCHORING DETAIL

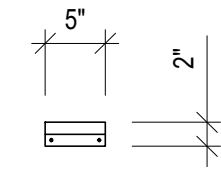
SCALE: 3" = 1'-0"



TOTAL THICKNESS 2 1/8"

SIDE PANEL DETAIL WITHOUT FABRIC

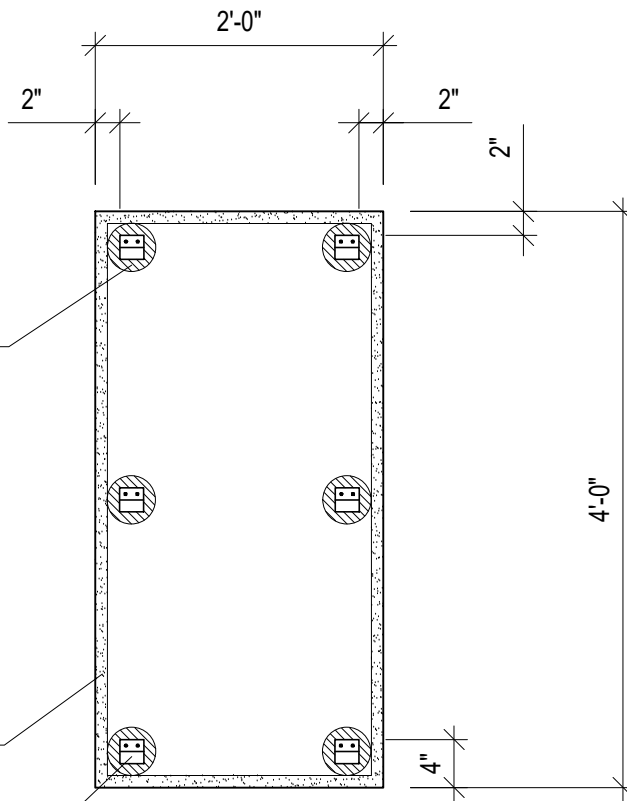
SCALE: 6" = 1'-0"



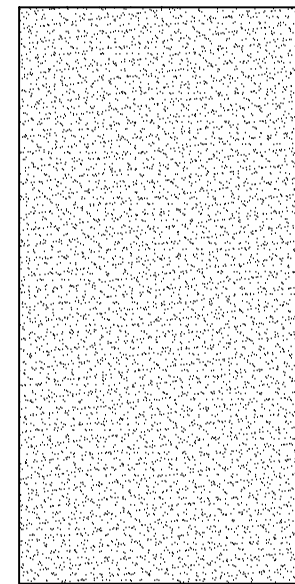
FRONT VIEW WALL ANCHOR

CHEMICAL HARDENED SECTION ± 4 Ø TYP.

FABRIC FOLD ± 1"
MECHANICAL ANCHOR 2"x2" ATTACHED TO PANEL



BACK VIEW



FRONT VIEW

DESSINÉ PAR:	Y.B
ÉCH:	3/4" = 1'-0" s/i
DATE:	05/01/2016

TITRE DU PROJET:	24" x 48" x 2" RESISTANT HD
TITRE DU DESSIN:	

11390 Armand Chaput
Montréal (Québec)
Canada H1C 1S7
Tel.: (514) 643-0800
Fax.: (514) 643-0959
www.accocinema.com

