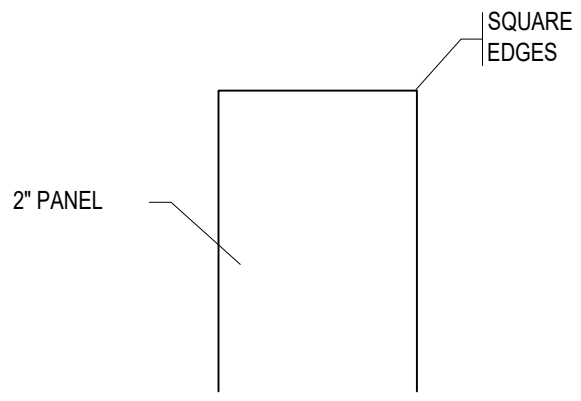


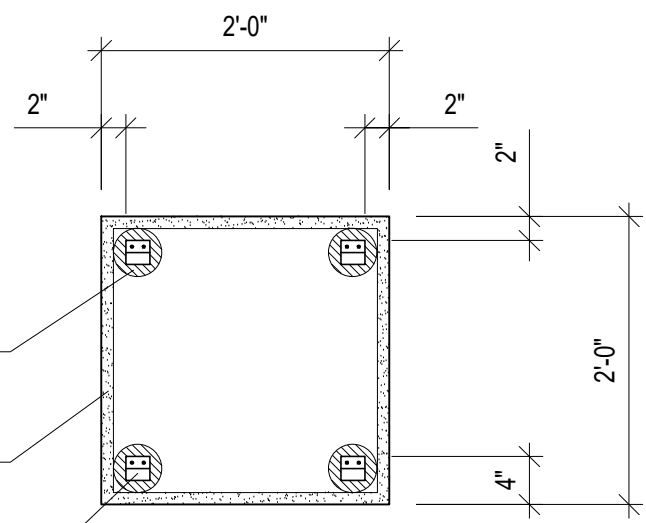
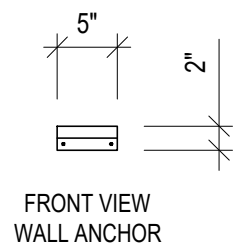
WALL ANCHORING DETAIL

SCALE: 3" = 1'-0"



**SIDE PANEL DETAIL
NO FABRIC**

SCALE: 6" = 1'-0"

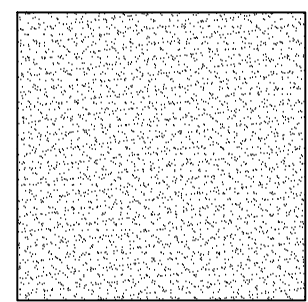


CHEMICAL HARDENED SECTION ± 4 Ø TYP.

FABRIC FOLD ± 1"

MECHANICAL ANCHOR 2"x2" ATTACHED TO PANEL

BACK VIEW



FRONT VIEW

TITRE DU PROJET:	DESSINÉ PAR: Y.B
	ECH: 3/4" = 1'-0" s/i
TITRE DU DESSIN: ACPAN PANEL 24"x24"x2"	DATE: 05/01/2016
11390 Armand Chapat Montréal (Québec) Canada H1C 1S7 Tel.: (514) 643-0800 Fax.: (514) 643-0959 www.accocinema.com	